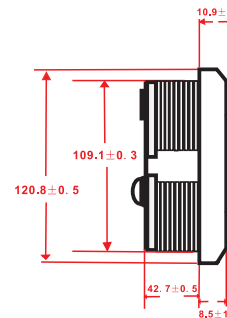


Picture B: Before installation, firstly, to open a hole $\Phi 110\text{mm}$ (4-3/8") of the panel, make sure there is a space with(55mm backyard of panel) as well.



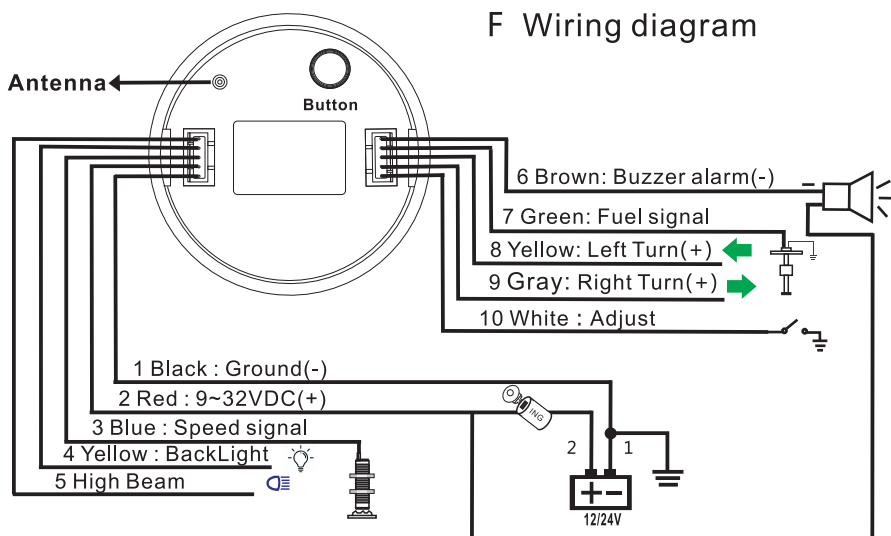
Picture E: Size and annotations

Picture D: Put the gauge in the hole and screw down.

Diesel Engine	
Gear Number	Speed Ratio
Speed Ratio = Gear Number	

Outboard	
Poles	Speed Ratio
4	2
6	3
8	4
10	5
12	6

F Wiring diagram

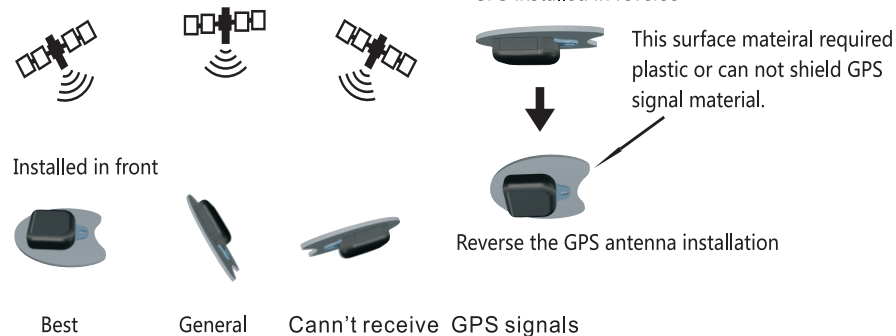


Connection

- 1 Black : Ground(-)
- 2 Red : 9~32VDC(+)
- 3 Blue : Speed signal
- 4 Yellow : BackLight
- 5 White : High Beam
- 6 Brown : Buzzer alarm(-)
- 7 Green : Fuel signal
- 8 Yellow : Left Turn
- 9 Gray : Right Turn
- 10 White : Adjust

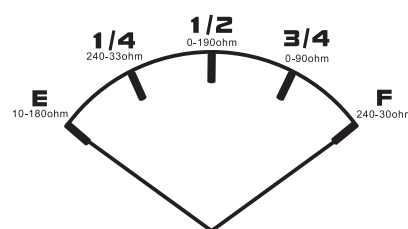
Inboard Gas Engine		
Cylinder	Cycle	Speed Ratio
4	4	2
6	4	3
8	4	4
10	4	5
12	4	6

GPS installation instructions



Technical parameters:

- Operating voltage: 9~32VDC
- Operating current: $\leq 100\text{mA}$
- Operating temperature: $-30 \sim 80^{\circ}\text{C}$
- Storage temperature: $-40 \sim 85^{\circ}\text{C}$



Picture G: Fuel setup parameters

1. Press and hold the button at the back of the instrument to enter setup mode. If you release the button for more than 3 seconds, you will exit setup mode.
2. Press the button on the back of the meter to select "SET RATE pilot" speed ratio adjustment or "SET SPD ALARM" speed ALARM mode
3. Ratio adjustment: Hold the button, the value has been increasing; release the button and then hold the button, the value has been decreasing. The longer the button is held down, the faster the numeric count. Count minimum step value 0.1, adjustable range 1.0-360. When you have adjusted the speed ratio to meet your requirements, please release the button. The tachometer automatically saves the result of your setting after 3 seconds. If the settings do not match your requirements, please reset them.
4. "SET SPD ALARM" overspeed ALARM mode: press the button on the back of the meter for 3 seconds to enter overspeed ALARM adjustment mode, then press the button on the back to display the overspeed ALARM adjustment. Hold the button repeatedly, the value will continue to increase, after 5 seconds to save automatically. If the settings do not match your requirements, please reset them.
5. The long white contact power supply negative electrode enters the set fuel input mode (backlight flashes), and can be released and touched again (E 10-180ohm)(1/4 240-33ohm)(3/4 0-190ohm)(3/4 0-90ohm), (F 240-30ohm) fuel parameters; For example, select "240-33ohm" fuel parameters, no operation after 3 seconds automatically save "240-33ohm" fuel parameters.
6. The default trip is a single cumulative trip and will not be cleared during a power outage.
7. Turn on the device and search for a signal that liquid crystal display "Gps --". If there is still no GPS signal after three minutes, the liquid crystal display says "Error".
8. White line short touch negative pole, change backlight color: backlight sequence red (default) \rightarrow green \rightarrow blue \rightarrow white \rightarrow yellow \rightarrow blue \rightarrow purple \rightarrow (automatic). Automatic: automatically change the backlight color once every 1 minutes, in accordance with the above order cycle switch.