

User Manual

Electronic Speedometer

Model: TD140ATC-SQ

The truck Speedometer works with Inductive & Hall Effect Speed Senders.
Speedometer connectors are compatible with new electronics Tachographs.

Main Features

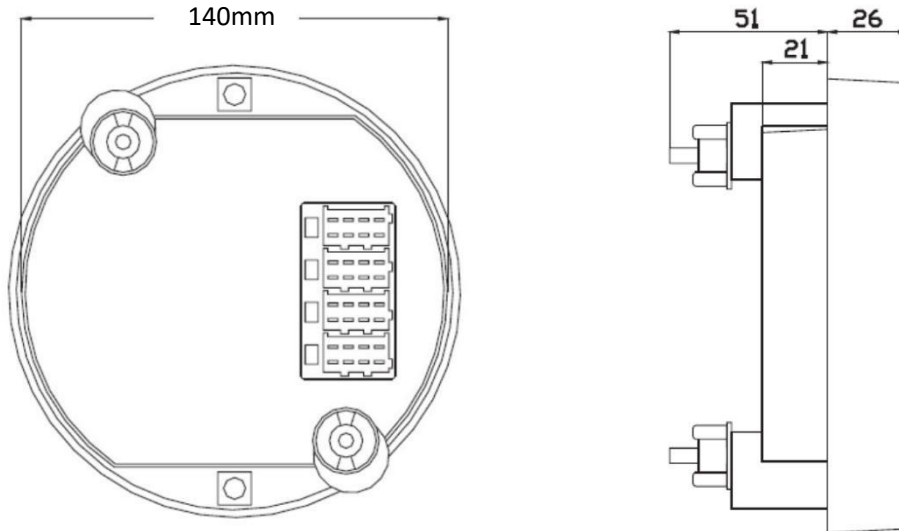
1. Digital Speedometer
2. Mileage Programmable
3. Calibration(pulse/km) Programmable
4. Overspeed Buzzer Alarm Programmable
5. Hall Effect Speed Sensor Support
6. Installation Diameter:140mm
7. Speed Range: 0~125km/h
8. Mileage: 0-999999.9 km
9. 12/24V DC Compatible

Tech Details

All connectors are compatible with ISO 16844-1 standard

Supply voltage:	9~36VDC
Speed indication range:	125km/h
Installation Size	140mm
Calibration regulation range:	1000-65535
Operating temperature range:	-40°C ~ +85°C
Odometer indication range:	0-999999.9
Dimensions:	150x150x77 mm

Dimensions



Functions

1. ODOMETER

- A. Total mileage programmable.
- B. Trip Counter, and support reset the indication of the trip odometer to zero.

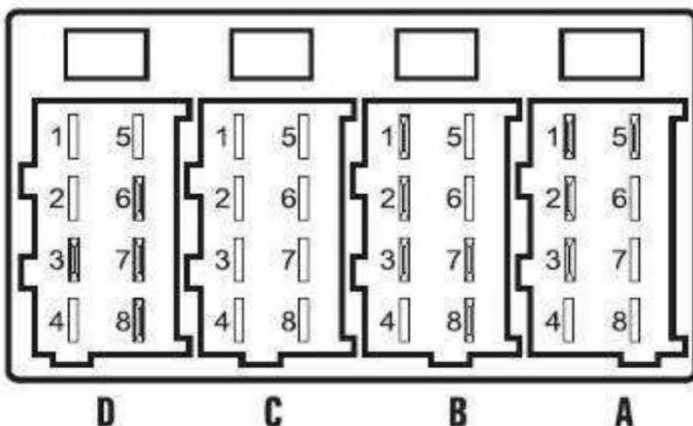
2. Calibration (imp/km) Programmable.

The Calibration is programmable, so that many trucks can use this device.

3. Overspeed Buzzer Alarm

For example, the Overspeed Alarm value is set to 100KM/H, when the truck's speed passes this value, then the Buzzer will alarm with very big voice.
The Overspeed Alarm Value is programmable.

Socket Direction



- A1 Power to Speedometer +
- A2 Backlight (+)
- A3 Ignition
- A5 Power to Speedometer -
- A6 Backlight (-) GND
- B1 Sensor power +
- B2 Sensor power -
- B3 Real Time Signal
- B7 V-Pulse Output
- B8 4 pulse/m signal output

SETTINGS OF THE SPEEDOMETER

1. Reset Trip Counter to Zero

a) Reset Trip Counter to Zero

Press and Hold the Middle Button



2. Set Speed Ratio (Calibration, imp/km) (1000-65535)

a) Press and Hold the **Middle Button**, Turn on the Ignition Power., wait for a while till the LCD Screen shows as below: (enter password)



b) Press **Right Button**, the rightmost digit will add 1. (universal way to set other digits value in the speedometer)



c) Press **Left Button** to move the digits to the left to the next position (universal way to set other digits value in the speedometer)



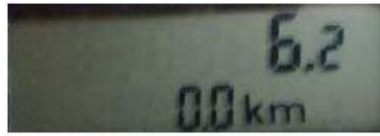
d) Press **1410**(password), then press **Middle Button** to enter K-Factor (Calibration,)setting



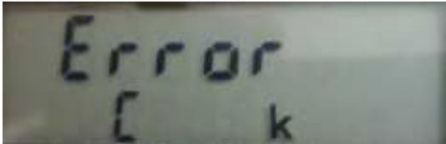
e) Set the Speed Ratio value, press the **Middle Button** to save and confirm, and back to the former menu.



f) Press **Middle Button**, and exit the setting menu.



g) If you program the Speed Ratio outside the scope of the settings, it'll show as below. Then press the **Middle Button** to delete error and reprogramming the right Speed Ratio



3. Measurement of the Speed Ratio

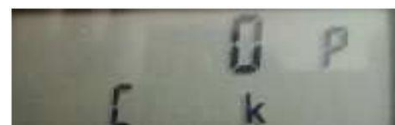
a) Press and Hold the **Middle Button**, Turn on the Ignition Power., wait for a while till the LCD Screen shows as below: (enter password)



b) Enter **1410** and Press **Middle Button**, to enter Speed Ratio menu. (same as above)



c) Set the Speed Ratio =0 and press the **Middle Button** to confirm. LCD display will show letter "P"



d) Press the **Left Button** to start the Speed Ratio measurement at the beginning of 1000m distance



e) Press the **Right Button** to stop the Speed Ratio measurement at the end of 1000m, and back to Speed Ratio setting menu.



f) Press the **Middle Button** to confirm, and back to the original menu.



4. Set Over Speed Buzzer Alarm Value(0-125km/h)

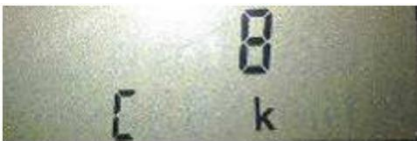
a) Press and Hold the **Middle Button**, Turn on the Ignition Power., wait for a while till the LCD Screen shows as below: (enter password)



b) Enter **1410** and Press **Middle Button**, to enter K-Factor menu. (same as above)



c) Set the K-factor to 8, press **Middle Button** to enter the Menu of setting Over Speed Alarm Value.



d) After set the Over Speed Alarm Value, press **Middle Button** to save and back to K-Factor Setting Menu.



5. Program Mileage

a) Press and Hold the **Middle Button**, Turn on the Ignition Power., wait for a while till the LCD Screen shows as below: (enter password)



b) Enter **1410** and Press **Middle Button**, to enter K-Factor menu. (same as above)



c) Enter 7 , press Middle Button to enter Mileage Programming Menu.



d) After Setting the Mileage, press Middle Button to save and exit.

