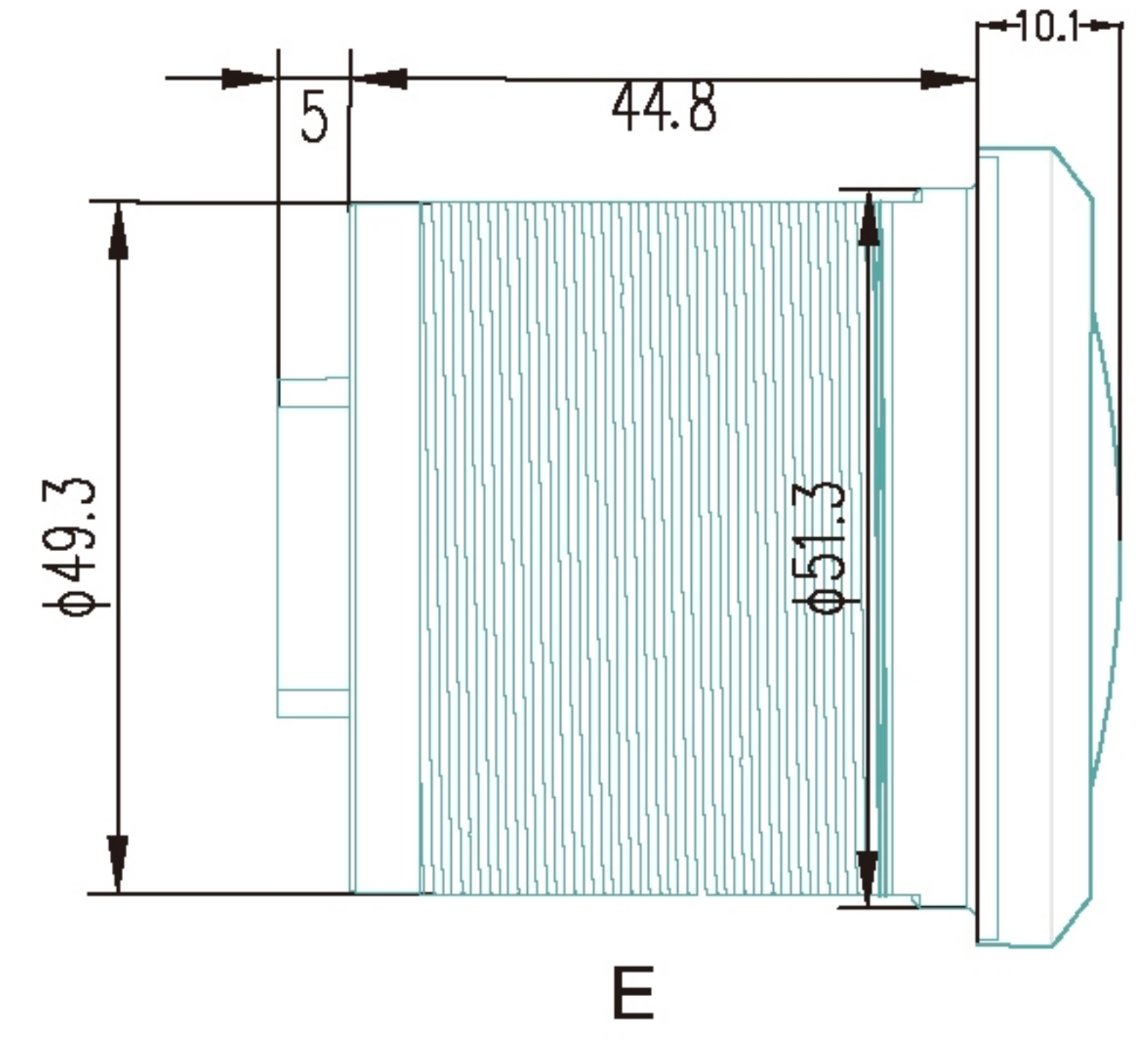
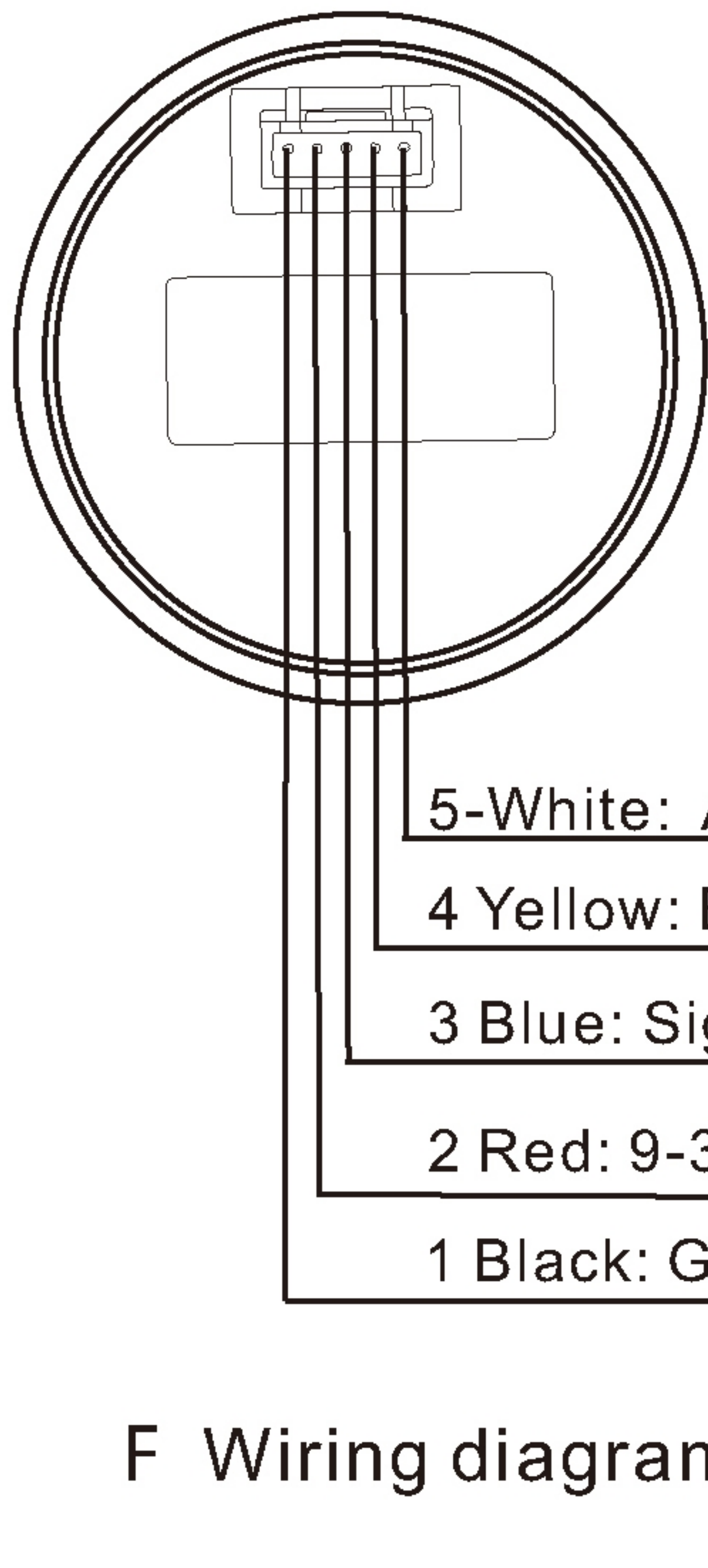


Picture B: Before installation, firstly, to open a hole $\Phi 52\text{mm}$ (2") of the panel, make sure there is a space with (55mm backyard of panel) as well.

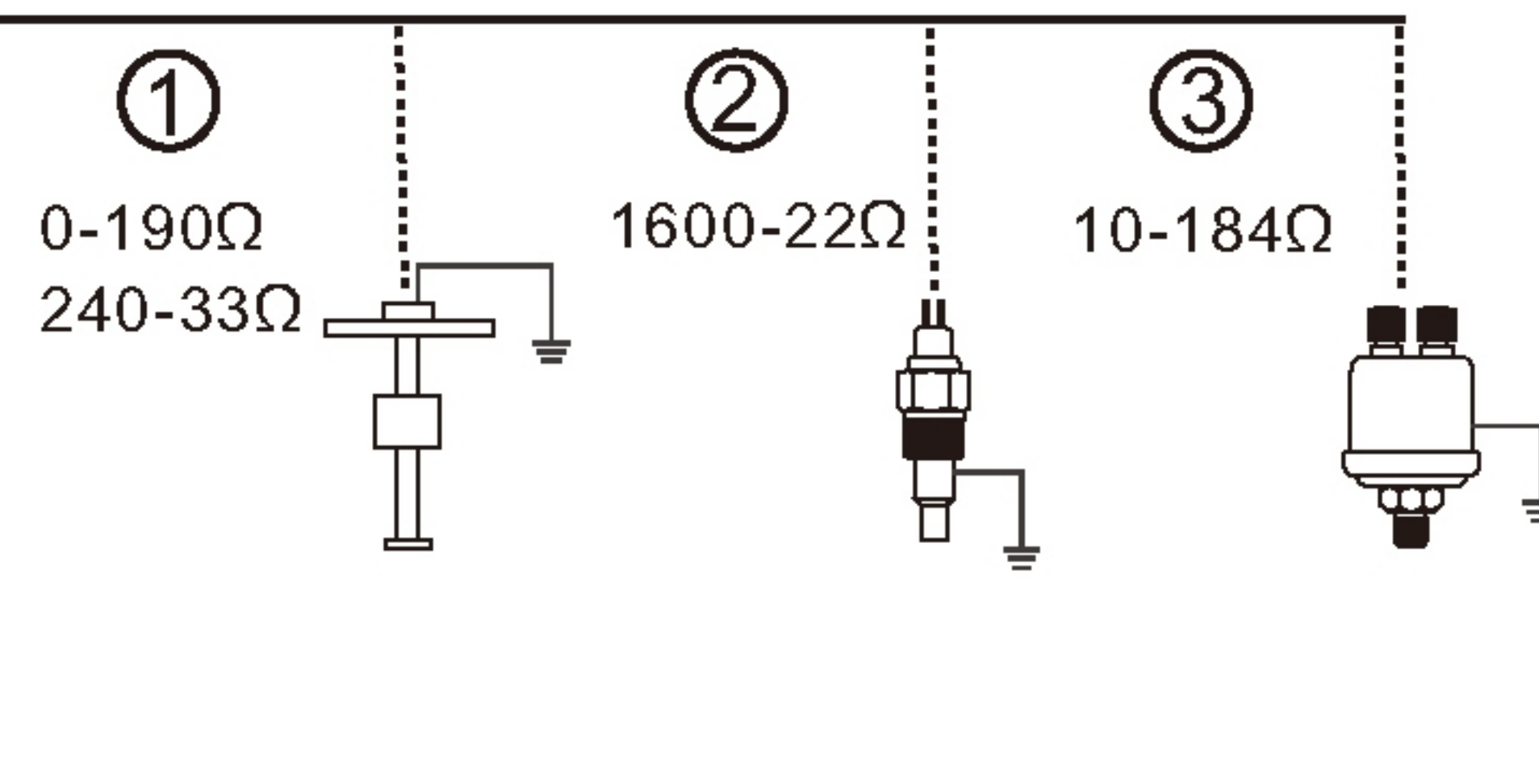


Picture E: Size and annotations

Picture D: Put the gauge in the hole and screw down.



F Wiring diagram



Connection

- 1 Black: Ground(-)
- 2 Red: 9-32VDC(+)
- 3 Blue: Signal
- 4 Yellow: Backlight
- 5 White: Adjust

Technical parameters:

- Operating voltage: 9~32VDC
- Operating current: $\leq 100\text{mA}$
- Operating temperature: $-20 \sim 70^\circ\text{C}$
- Storage temperature: $-30 \sim 80^\circ\text{C}$

The white wire touches the negative pole shortly, change the backlight color : Backlight changed in sequence: red (default) \rightarrow green \rightarrow blue \rightarrow white \rightarrow yellow \rightarrow cyan \rightarrow Purple \rightarrow (automatic). Automatic: Automatically switch the backlight color every 1 minute, Cycle switch according to the above sequence.

If it is a voltmeter, no external signal line is required.