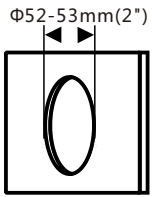


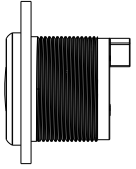
OWNER'S MANUAL

106-00152-01 ECH

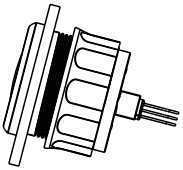


如A图,在准备安装仪表面板上开孔Φ52~53mm,并保证面板后面有至少70mm的空间。

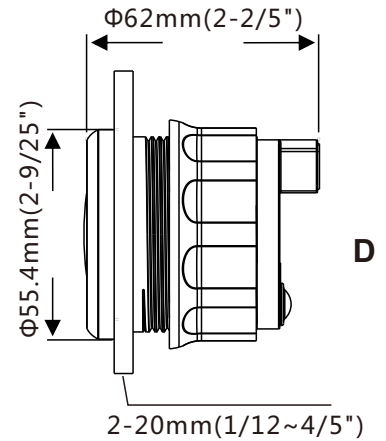
A Pic A : Before installation , firstly ,to open a hole (Dia:52~53mm) of the panel, make sure there is a space with (70mm backyard of panel) as well



B 如B图,拧开后盖,然后将仪表放入开好孔的仪表面板中
PicB: Twist off the cover then put the gauge in hole



C 如C图,将仪表调整好位置后用仪表后盖将仪表锁紧在仪表面板上
Pic C: Mount the gauge in hole, twist the back cover on after adjustment.



如D图,关于外形尺寸的标注说明
Pic D: Size and annotations

仪表功能说明：

- 1、 按轻按Mode按键(小于1秒)一次, 改变背光颜色: 背光顺序红色(默认) → 绿 → 蓝 → 白 → 黄 → 黄绿 → 橙 → 紫 → (自动)。自动: 设置为自动背光时背光熄灭2秒再点亮, 然后1分钟自动切换一次背光颜色。 照上面顺序循环切换。
- 2、 如果您购买的是舵角表, 按住Mode按键≥3秒, 进入设置模式, 背光闪烁, 然后每轻触按键一次指针方向会切换一次。

Operation:

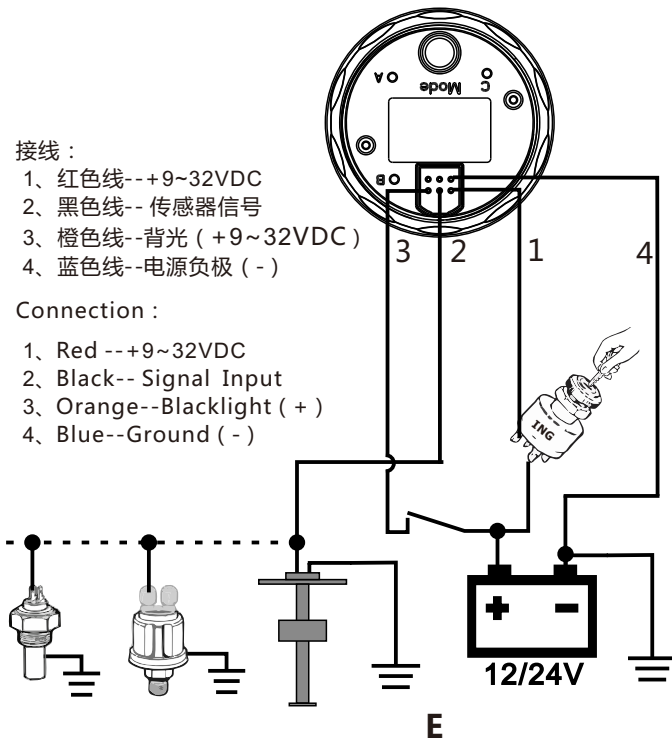
- 1, Press the Mode button (less than 1 second) to change the backlight color: Backlight changed in sequence: red (default) → green → blue → white → yellow → yellow green → orange → Purple → (automatic). Automatic: As the gauges was set with the automatic , the backlight will be off for 2 seconds then lighten up, And will switch the backlight color as above sequentially.
- 2.If you are using the rudder angle indicator , press the Mode button(time≥3s) to access into setting mode, back light flickering for a while,then the direction of pointer will change inversely when you press the button

接线：

- 1、 红色线-- +9~32VDC
- 2、 黑色线-- 传感器信号
- 3、 橙色线-- 背光 (+9~32VDC)
- 4、 蓝色线-- 电源负极 (-)

Connection :

- 1、 Red -- +9~32VDC
- 2、 Black -- Signal Input
- 3、 Orange -- Backlight (+)
- 4、 Blue -- Ground (-)



技术参数：

工作电压：9~32VDC ,
工作电流：≤70mA(24V);
工作温度：-30~+75°C
存储温度：-40~+85°C。

Specification :

Operating Voltage : 9~32VDC ,
Operating current : ≤70mA(24V);
Operating temperature : -30~+75°C
Storage temperature : -40~+85°C。

参考E图连接电线, 如果是电压表和小时计, 则没有黑色电线

Pic E(Wires Connecting) : Generally,pls note the black wires is not included in volt gauge and hourmeter.