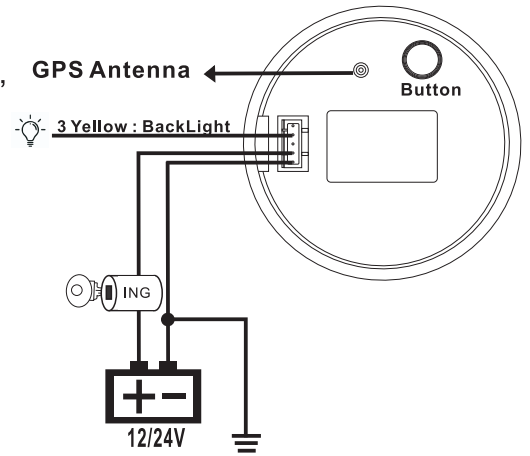


Picture B: Before installation, firstly, to open a hole  $\Phi 110\text{mm}$ (4-3/8") of the panel, make sure there is a space with(55mm backyard of panel) as well.

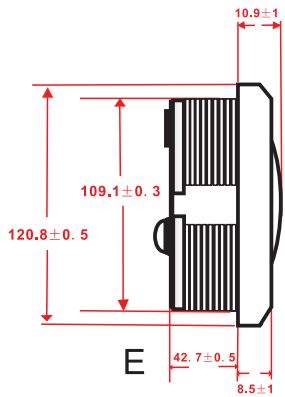
Picture D: Put the gauge in the hole and screw down.



F Wiring diagram

### Connection

- 1 Black: Ground(-)
- 2 Red: 9-32VDC
- 3 Yellow: Backlight

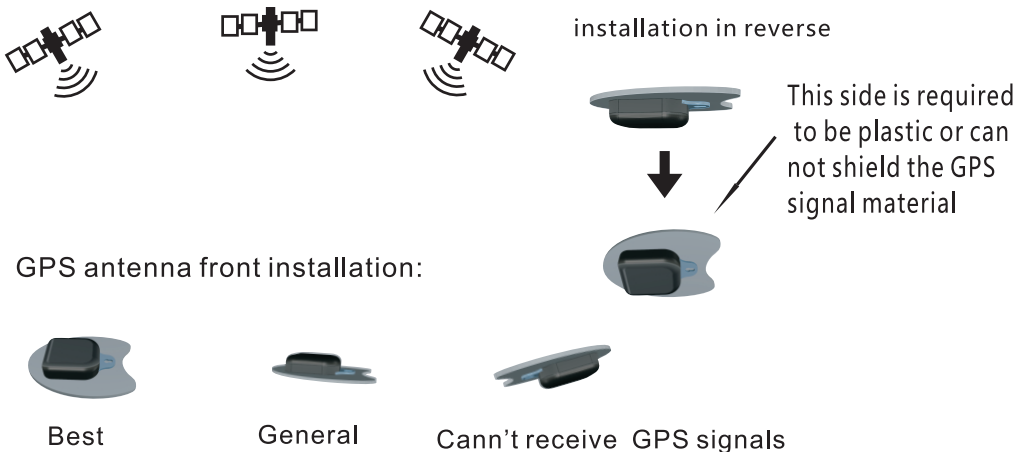


Picture E: Size and annotations

### Technical parameters:

- Operating voltage: 9~32VDC
- Operating current:  $\leq 100\text{mA}$
- Operating temperature:  $-30 \sim 80^\circ\text{C}$
- Storage temperature:  $-40 \sim 85^\circ\text{C}$

### GPS Antenna Installation Instructions



1. Turn it on, then the meter starts to search the signal and LCD will display "gps---", if there is still no GPS signal after three minutes, LCD displays "Err".

2. Short press the button to change the backlight color: Backlight changed in sequence: red (default) → green → blue → white → yellow → cyan → Purple → (automatic). Automatic: Automatically switch the backlight color every 1 minute, Cycle switch according to the above sequence.