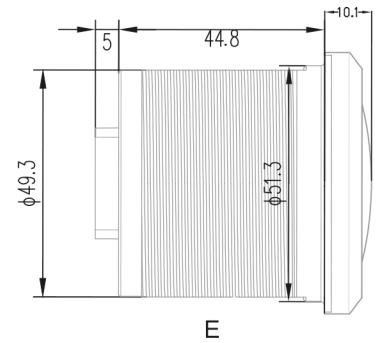
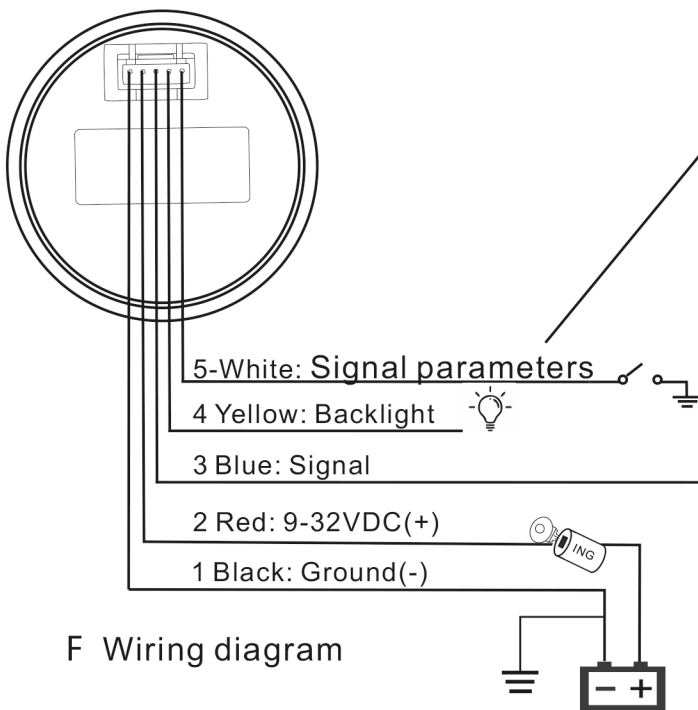


Picture B: Before installation, firstly, to open a hole $\phi 52\text{mm}$ (2-1/16") of the panel , make sure there is a space with(55mm backyard of panel) as well.

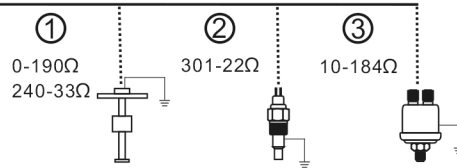


Picture E:Size and annotations

Picture D: Put the gauge in the hole and screw down.



- 1、 Default input signal is 0~190ohm, when 5-White connect toGround, input signal change to 240~33ohm;
- 2、 Default input signal is 240~33ohm, when 5-White connect toGround, input signal change to 0~190ohm.



Connection

- 1 Black: Ground(-)
- 2 Red: 9-32VDC(+)
- 3 Blue: Signal
- 4 Yellow: Backlight
- 5 White: Signal parameters

Technical parameters:

- Operating voltage: 9~32VDC
- Operating current: $\leq 100\text{mA}$
- Operating temperature: $-30 \sim 80^{\circ}\text{C}$
- Storage temperature: $-40 \sim 85^{\circ}\text{C}$

If it is a voltmeter, no external signal line is required.