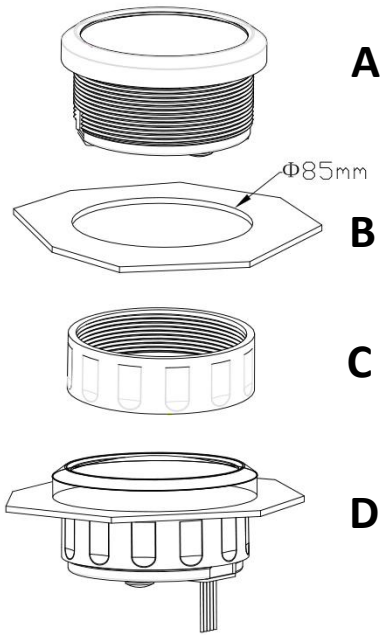


Owner's Manual



Picture B: Before installation, firstly, to open a hole $\Phi 85\text{mm}$ (3 3/8") of the panel ,make sure there is a space with(55mm backyard of panel)as well.

如图B,在仪表安装板上开一个直径为85mm的孔,并确保仪表板后面至少要有55mm的空间.

Picture D: Put the gauge in the hole and screw down.

如图D, 将仪表装入开好的孔中, 调整好位置后将后盖圈拧紧.

天线安装说明/GPS installation instructions



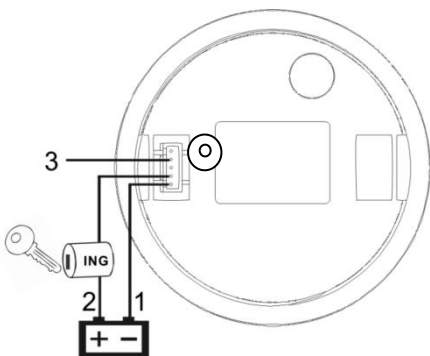
GPS天线正面安装
Installed in front



反面可能收不到GPS信号
Can't receive GPS signal



GPS 天线
GPS antenna



Connection

- 1 Black: Ground(-)
- 2 Red: 9-32VDC
- 3 Yellow: Backlight

接线

- 1 黑色线: 电源负极(-)
- 2 红色线: 9-32VDC
- 3 黄色线: 背光灯

1.上电后, 仪表开始工作, 此时GPS处于搜索信号状态, LCD会显示 **gps---**, 3分钟后如果没有搜索到GPS信号, LCD会显示**Err**.

2.短按按键一次, 改变背光颜色: 背光顺序红色(默认) → 绿 → 蓝 → 白 → 黄 → 青 → 紫 → (自动)。自动: 每 1 分钟自动切换一次背光颜色, 依照上面顺序循环切换。

1. Turn it on, then the meter star to search the signal and LCD will display "gps---", if there is still no GPS signal after three minute, LCD displays "Err".

2.Short press the button to change the backlight color : Backlight changed in sequence: red (default) → green → blue → white → yellow → cyan →Purple → (automatic).Automatic: Automatically switch the backlight color every 1 minute, Cycle switch according to the above sequence.