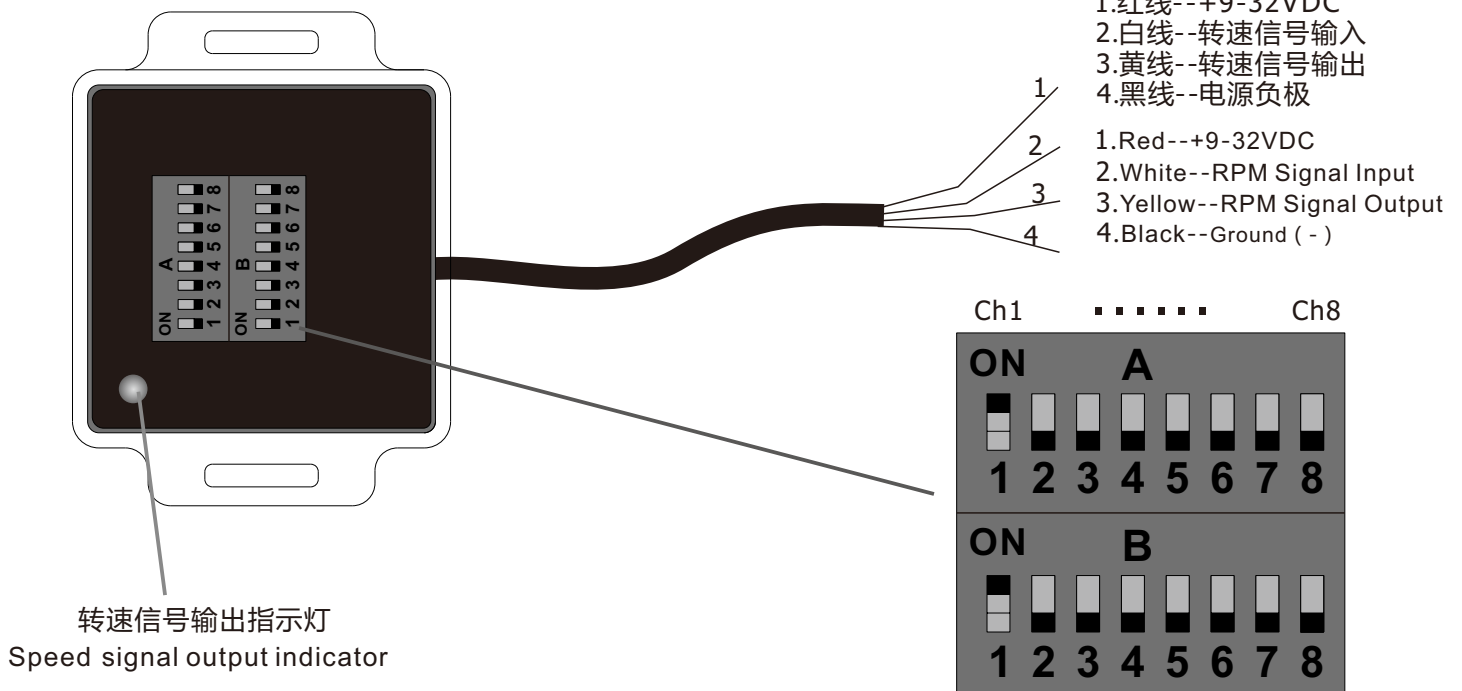
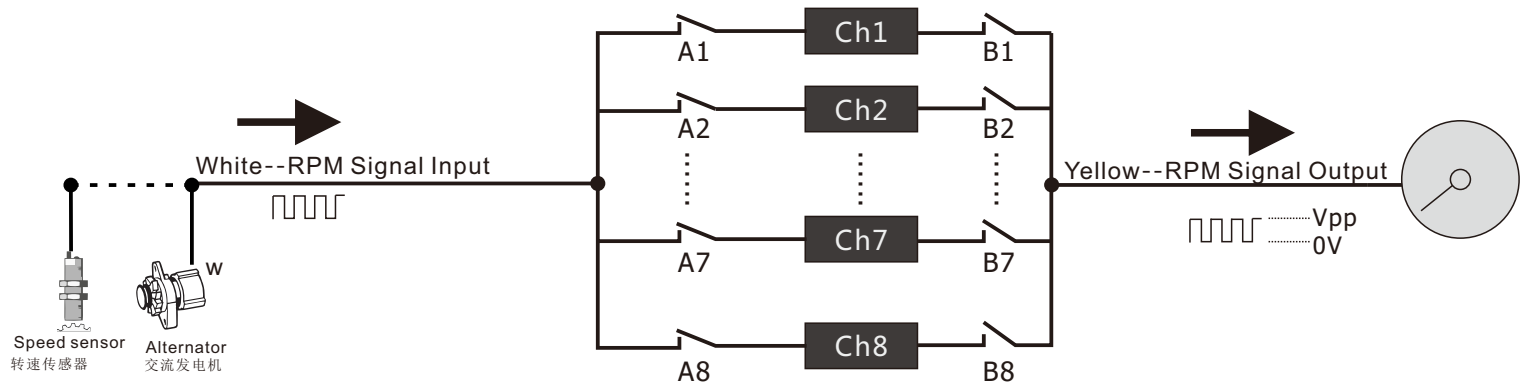


## 1. 接线图/ Wires Connection



## 2. 8通道脉冲信号可选(只能选择一路工作)/8 Channels for reading rpm signal (one channel can be selected to work only)



### 操作说明：

- 1、参考接线图连接好电线，白色线连接转速信号，黄色电线连接显示终端转速信号输入端。
- 2、信号处理通道CH1~CH8共8路可选，单次只能选择一路。比如选择CH1，必须将A-1和B-1 开关拨动到ON位置，其他位开关断开。
- 3、不同通道信号处理方式不同，客户可以根据具体应用调试CH1~CH8，测试哪个通道适合处理转速信号。
- 4、LED灯位转速信号输出指示灯，LED点亮或闪烁，表示输出端有信号输出（仅供参考）。

### Operation：

1. Check the wire conenction, the white cable is for the rpm signal reading , and the yellow cable is for rpm input of device.
2. Totally 8 channels for options , user could use one channel for reading rpm signal. For instance, if you select CH1, you have both A-1 and B-1 at“ON”,and all other switches disconnected.
3. Each channel could read different rpm signal input , users could select one from CH1-CH8 for correct reading.
4. Once there is rpm signal output, the LED will be flickering.

### 各通道信号处理能力说明（仅供参考）：

- CH1: 适合频率小于10Khz, 信号幅值大于4V
- CH2: 适合频率小于3.5Khz, 信号幅值大于4V
- CH3: 适合频率小于10Khz, 信号幅值大于2V
- CH4: 适合频率小于2Khz, 信号幅值大于7V
- CH5: 适合频率小于10Khz, 信号幅值大于3V
- CH6: 适合频率小于10Khz, 信号幅值大于5V
- CH7: 适合频率小于10Khz, 信号幅值大于4V
- CH8: 适合频率小于1Khz, 信号幅值大于6V

### Decription of each channels(Reference only):

- CH1: Suitable for the Frequency (F) <10KHz and the signal amplitude >4V
- CH2: Suitable for the Frequency (F) <3.5KHz and the signal amplitude >4V
- CH3: Suitable for the Frequency (F) <10KHz and the signal amplitude >2V
- CH4: Suitable for the Frequency (F) <2KHz and the signal amplitude >7V
- CH5: Suitable for the Frequency (F) <10KHz and the signal amplitude >3V
- CH6: Suitable for the Frequency (F) <10KHz and the signal amplitude >5V
- CH7: Suitable for the Frequency (F) <10KHz and the signal amplitude >4V
- CH8: Suitable for the Frequency (F) <1KHz and the signal amplitude >6V