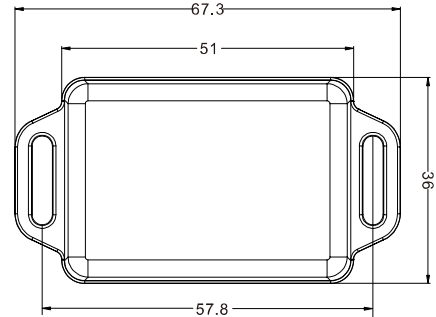
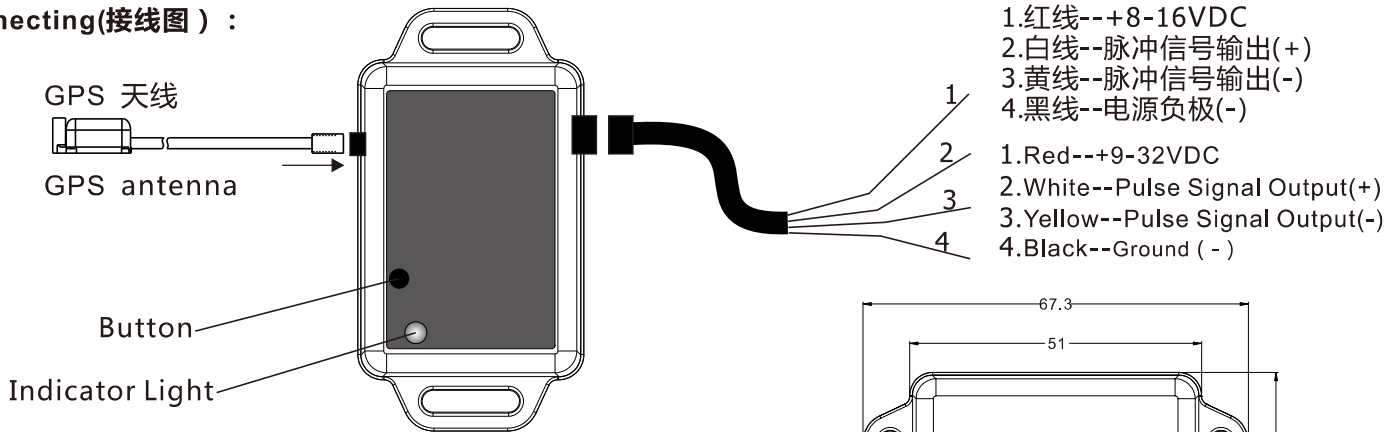


## 1.Connecting(接线图) :



## 2.GPS antenna installation diagram(GPS天线安装示意图) :



技术参数：  
工作电压：8~16VDC，  
工作电流：≤60mA；  
工作温度：-30~+75℃  
存储温度：-40~+85℃

### 功能说明:

- 1、控制盒供电电压8-16V
- 2、按照接线图将电线和GPS天线连接好
- 3、连接电源, 指示灯不同颜色代表不同功能:  
GPS没有定位----红灯闪烁  
GPS定位成功----红灯不亮, 绿灯亮起  
GPS模块异常----黄灯闪亮(即红绿灯同时闪烁)
- 4、按住仪表黑色橡胶按键大于3秒, 进入速比设置模式, 如果松开按键大于3秒, 退出速比设置模式, 并自动保存所设置的数据.
- 5、进入设置模式后, 长按按键数值一直增加, 松开按键, 长按住按键数值一直递减; 如果短按按键则为细调, 每按一次向上(+1Hz)或向下(-1Hz)调整数值. 调节过程中信号线有脉冲输出随之变化, 将信号调至速度表指向60km/h, 完成调节后松开按键3秒完成参数设置.

### Description:

1. Power supply : 8-16V
2. Connect the wires and GPS antenna as the diagram.
3. Check the light to know about the working condition  
GPS signal was not searched successfully----red light flickering  
GPS signal was searched----red light off, green light on  
GPS module abnormality----yellow light flickering (red light and green light flickering)
4. Long press the button (>3seconds) for setting the speed ratio, and data will be saved if it was release (>3seconds)
5. When you are setting the ratio, long press the button to continuously increase/decrease the ratio .Also, you could short press the button to increase /decrease each step (0.1Hz) That is , the output pulse signal will be changed accordingly . Release the button (>3seconds) until the speed reach 60Km/h, and data saved

### Specification :

Operating Voltage : 8~16VDC ,  
Operating current : ≤60mA;  
Operating temperature : -30~+75°C  
Storage temperature : -40~+85°C.